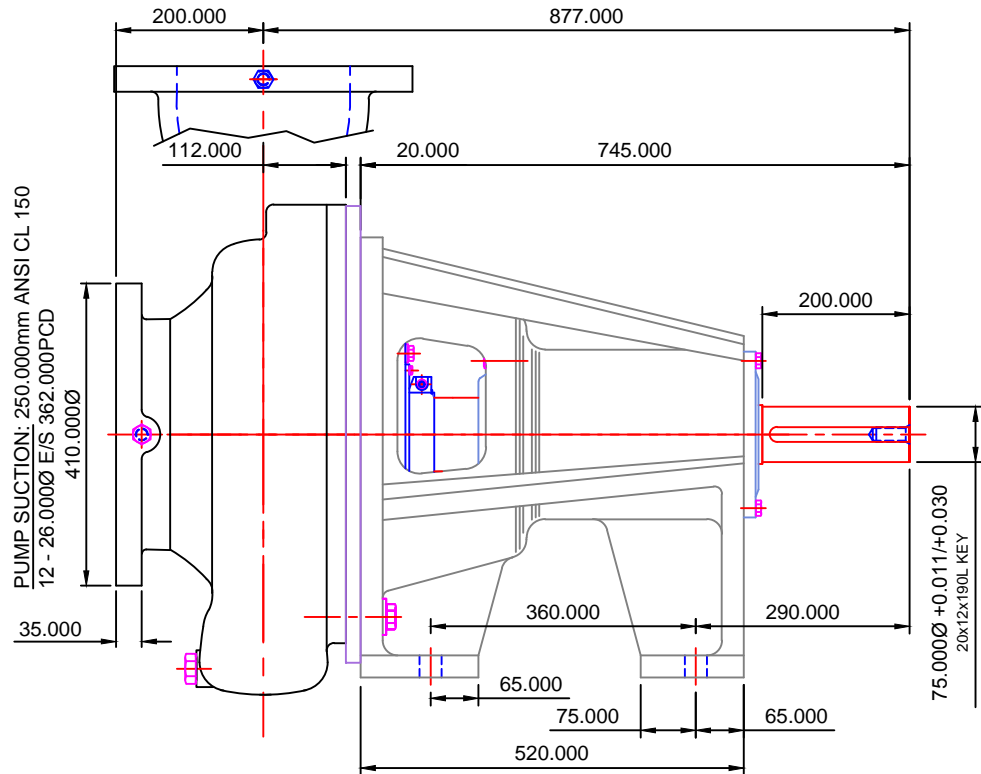
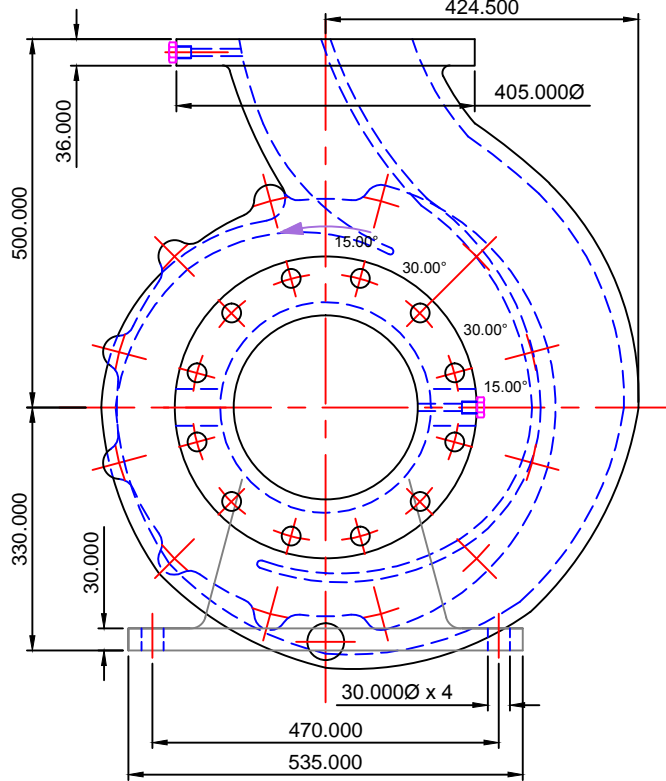


PUMP DISCHARGE: 250.000mm ANSI CL 150
12 - 26.000Ø E/S 362.000PCD



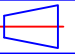


STANDARD DETAIL NOTES:

THIS IS A DIAGRAMMATIC REPRESENTATION AND CERTAIN DETAILS REMOVED FOR CLARITY.

IMPORTANT: ALL DIMENSIONS INDICATED ARE NOMINAL.

IMPORTANT:
THIS DATA IS RELEASED FOR
REFERENCE ONLY.

REVISION		THIS DATA REMAINS THE PROPERTY OF STALKER ENGINEERING. NO DATA MAY BE REPRODUCED WITHOUT PRIOR CONSENT OF COMPANY. DATA MAY BE ALTERED WITHOUT NOTIFICATION.	GENERAL TOLERANCES METRIC +/-0.400mm INCH +/-0.015" FABR +/-2.0mm	DRWN: AR	 STALKER PUMPS www.stalkerpumps.com.au		
		"IF IN DOUBT ASK"	FILE REFERENCE: 9100--39A150DIM.dwg (A3)	DATE: 17/10/2012		DIMENSION OUTLINE DIAGRAMMATIC 250/250-400 SHD DC SERIES ANSI "CL 150" FLANGES	
	(A) 17/10/2012 INITIAL RELEASE (AR)	"DO NOT SCALE"	 	APPRVD:	CHECKED: (AR) 17/10/2012	REVISION: (A) 17/10/2012	DRAWING No: 9100--39A150DIM REPLACES 9100--39(002DIM).dwg