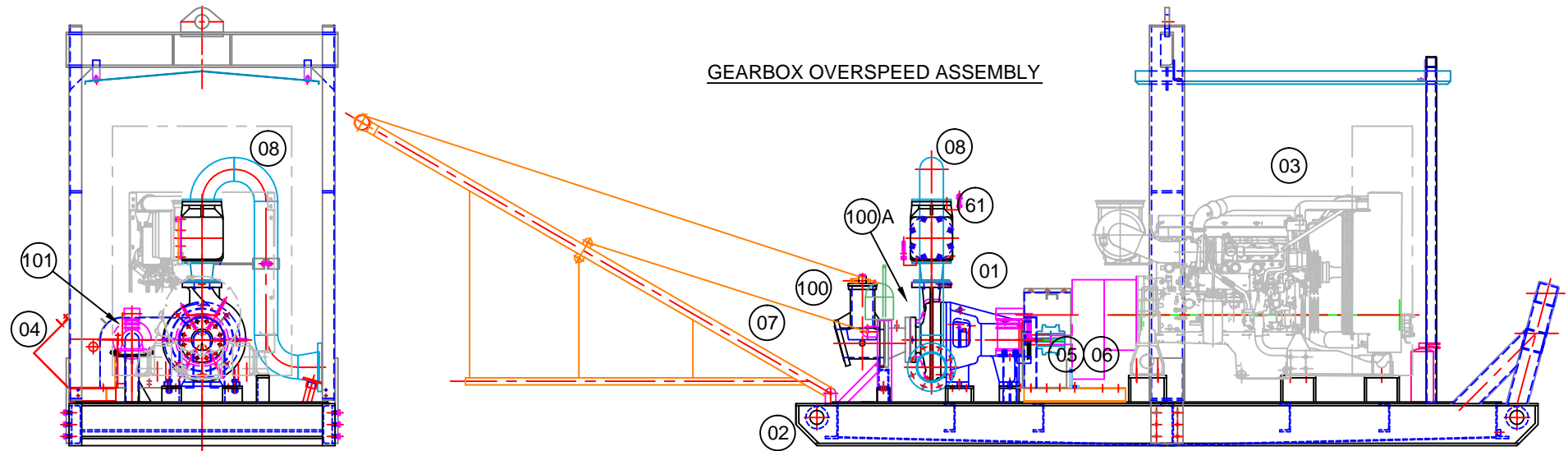
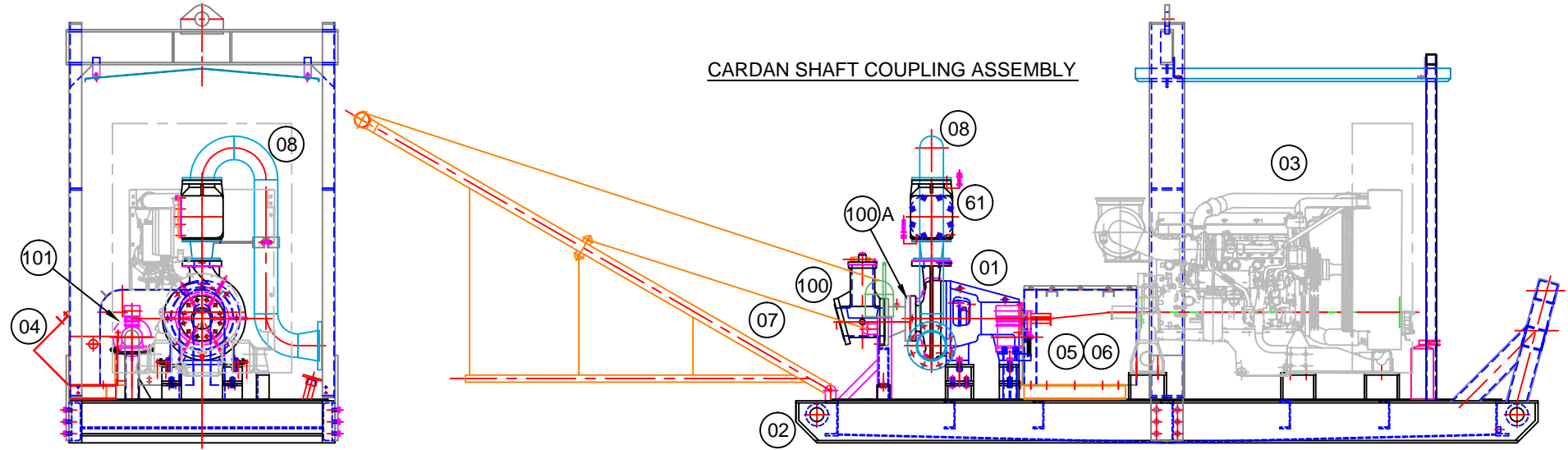


+++




GEARBOX OVERSPEED ASSEMBLY



CARDAN SHAFT COUPLING ASSEMBLY

STANDARD DETAIL NOTES:
 THIS IS A DIAGRAMMATIC REPRESENTATION AND CERTAIN DETAILS REMOVED FOR CLARITY.
IMPORTANT: THIS DRAWING TO BE ISSUED WITH PARTS LIST FILE REF. 7200SHDDC-66942-ASSPARTS-3.xls

REVISION	THIS DATA REMAINS THE PROPERTY OF STALKER ENGINEERING. NO DATA MAY BE REPRODUCED WITHOUT PRIOR CONSENT OF COMPANY. DATA MAY BE ALTERED WITHOUT NOTIFICATION.		GENERAL TOLERANCES METRIC +/-0.400mm IMPERIAL +/-0.015" FABR -0/+3.00mm		DRWN: AR DATE: 21/11/2008		 STALKER PUMPS www.stalkerpumps.com.au PARTS DIAGRAMMATIC 150/125-400SHD COMPRESSOR ASSISTED DC DRIVE SHAFT & GEARBOX COUPLING OPTION CATERPILLAR C11 ENGINE SKID BASE MOUNT
	AS1100 3rd ANGLE PROJECTION		FILE REFERENCE: 7200SHDDC-66942-ASS-2_A2.dwg		SCALE: 1:1 MODEL SPACE		
	DO NOT SCALE		APPRVD:	CHECKED:	REVISION: ORIGINAL	DRAWING No: 7200SHDDC-66942-ASS-2_A2-PL	

+++