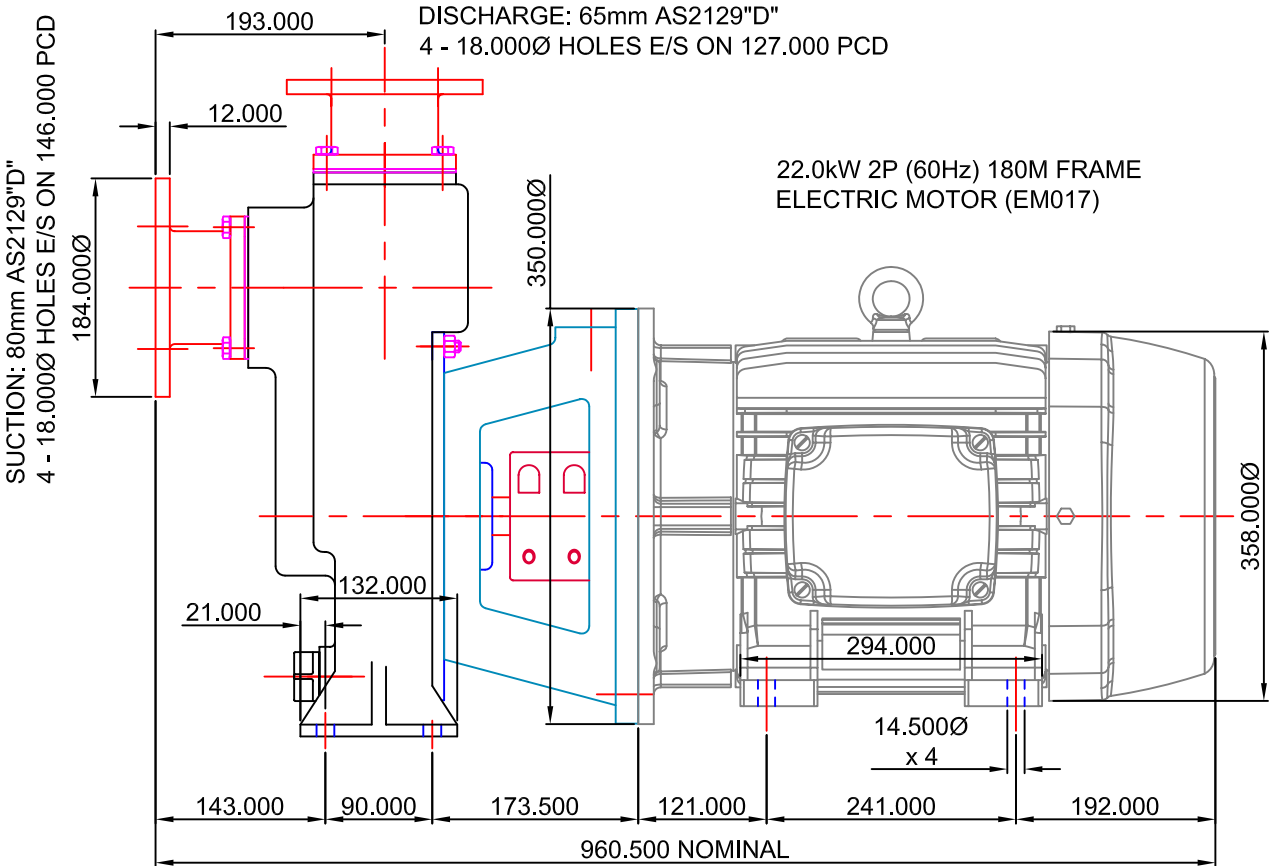
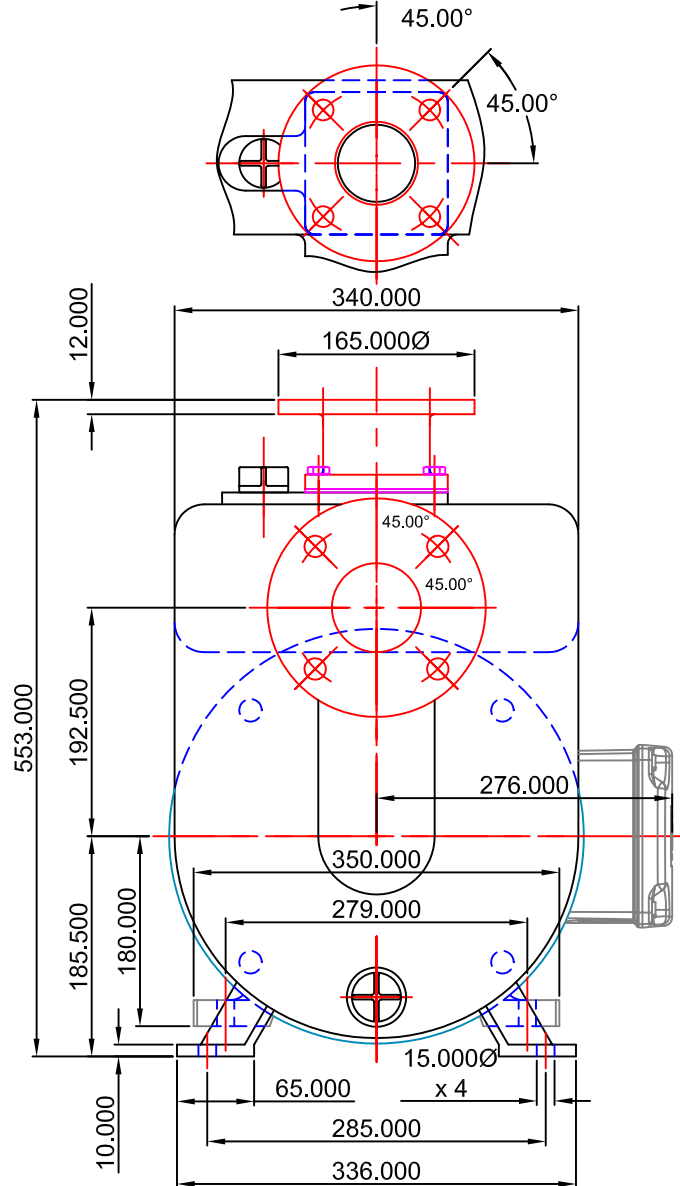


**IMPORTANT:**  
THIS DATA IS RELEASED FOR  
REFERENCE ONLY.

**STANDARD DETAIL NOTES:**

THIS IS A DIAGRAMMATIC REPRESENTATION AND CERTAIN DETAILS REMOVED FOR CLARITY.  
**IMPORTANT:** ALL DIMENSIONS INDICATED ARE NOMINAL.



<b>REVISION</b>	REFERENCE: NEW ISSUE 16/04/2007 REPLACES PREVIOUS DWG 4600CC5SERIES2PDIMA3.dwg
	<b>AS1100 3rd ANGLE PROJECTION</b>
	<b>DO NOT SCALE</b>

THIS DATA REMAINS THE PROPERTY OF STALKER ENGINEERING. NO DATA MAY BE REPRODUCED WITHOUT PRIOR CONSENT OF COMPANY. DATA MAY BE ALTERED WITHOUT NOTIFICATION.

<b>GENERAL TOLERANCES</b>	
METRIC	+/-0.400mm
IMPERIAL	+/-0.015"
REFERENCE:	
APPRVD:	CHECKED:

DRWN: AR
DATE: 16/04/2007
SCALE: DIAGRAMMATIC
FILE REF: REFER DWG NUMBER

**STALKER PUMPS**  
[www.stalkerpumps.com.au](http://www.stalkerpumps.com.au)

DIMENSION OUTLINE DIAGRAMMATIC  
65APR CC (M) 5 SERIES MOUNT  
22.0kW 2P 180M (60Hz) FRAME ELECTRIC MOTOR DRIVE

DRAWING No: **4600CC5SERIESEM017\_60HzDIMA3**