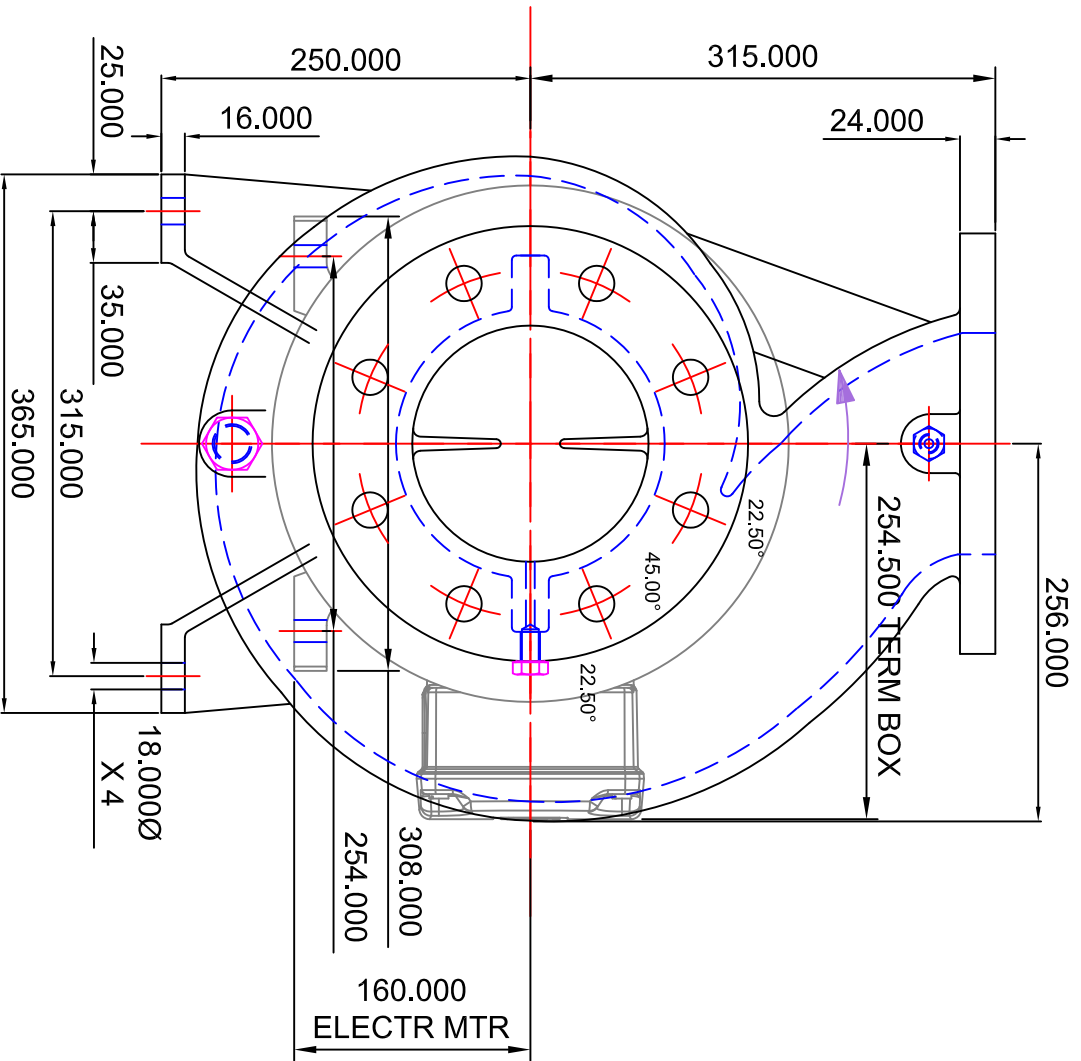
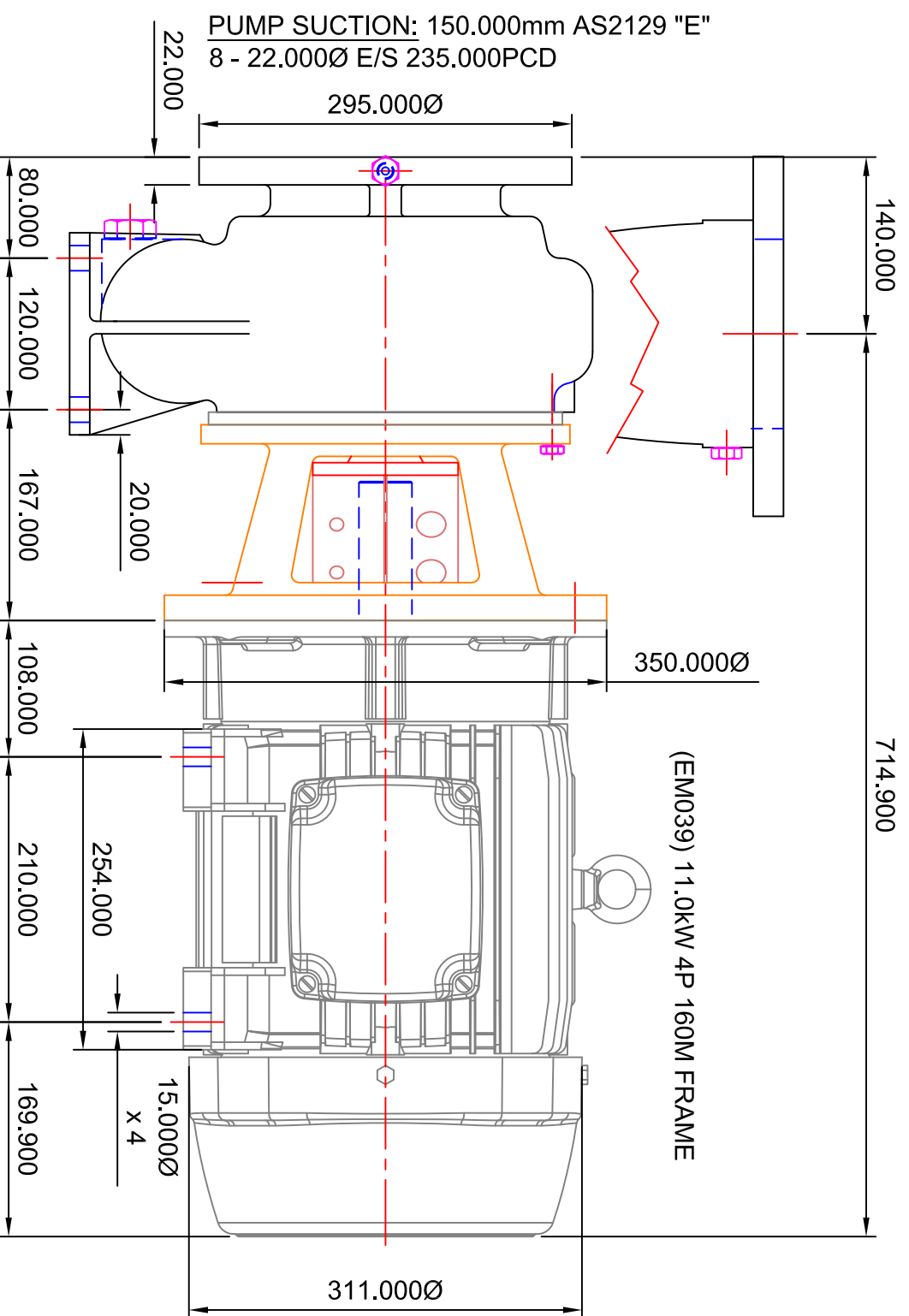


PUMP DISCHARGE: 150.000mm AS2129 "E"
8 - 22.000Ø E/S 235.000PCD



PUMP SUCTION: 150.000mm AS2129 "E"
8 - 22.000Ø E/S 235.000PCD



STANDARD DETAIL NOTES:
THIS IS A DIAGRAMMATIC REPRESENTATION AND CERTAIN DETAILS REMOVED FOR CLARITY.
IMPORTANT: ALL DIMENSIONS INDICATED ARE NOMINAL.

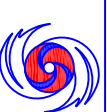
THIS DATA REMAINS THE PROPERTY OF STALKER ENGINEERING. NO DATA MAY BE REPRODUCED WITHOUT PRIOR CONSENT OF COMPANY. DATA MAY BE ALTERED WITHOUT NOTIFICATION.

GENERAL TOLERANCES

METRIC $\pm 0.400\text{mm}$
INCH $\pm 0.015"$
FABR $\pm 0/-2.0\text{mm}$

DRWN: AR

DATE: 13/09/2012



STALKER PUMPS
www.stalkerpumps.com.au

SCALE: NTS

DIMENSION OUTLINE DIAGRAMMATIC
ISO 150/150-200 CC 11.0kW 4P 160M

APPRVD:

CHECKED: (AR) 13/09/2012

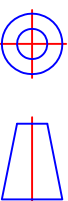
REVISION: (A) 13/09/2012

DRAWING No: 7439--17EDIM

REVISION

(A) 13/09/2012 INITIAL RELEASE (AR)

"IF IN DOUBT ASK"



FILE REFERENCE:
7439--17EDIM.dwg (A3)

CHECKED: (AR) 13/09/2012

REVISION: (A) 13/09/2012

DRAWING No: 7439--17EDIM

A

IMPORTANT:
THIS DATA IS RELEASED FOR
REFERENCE ONLY.