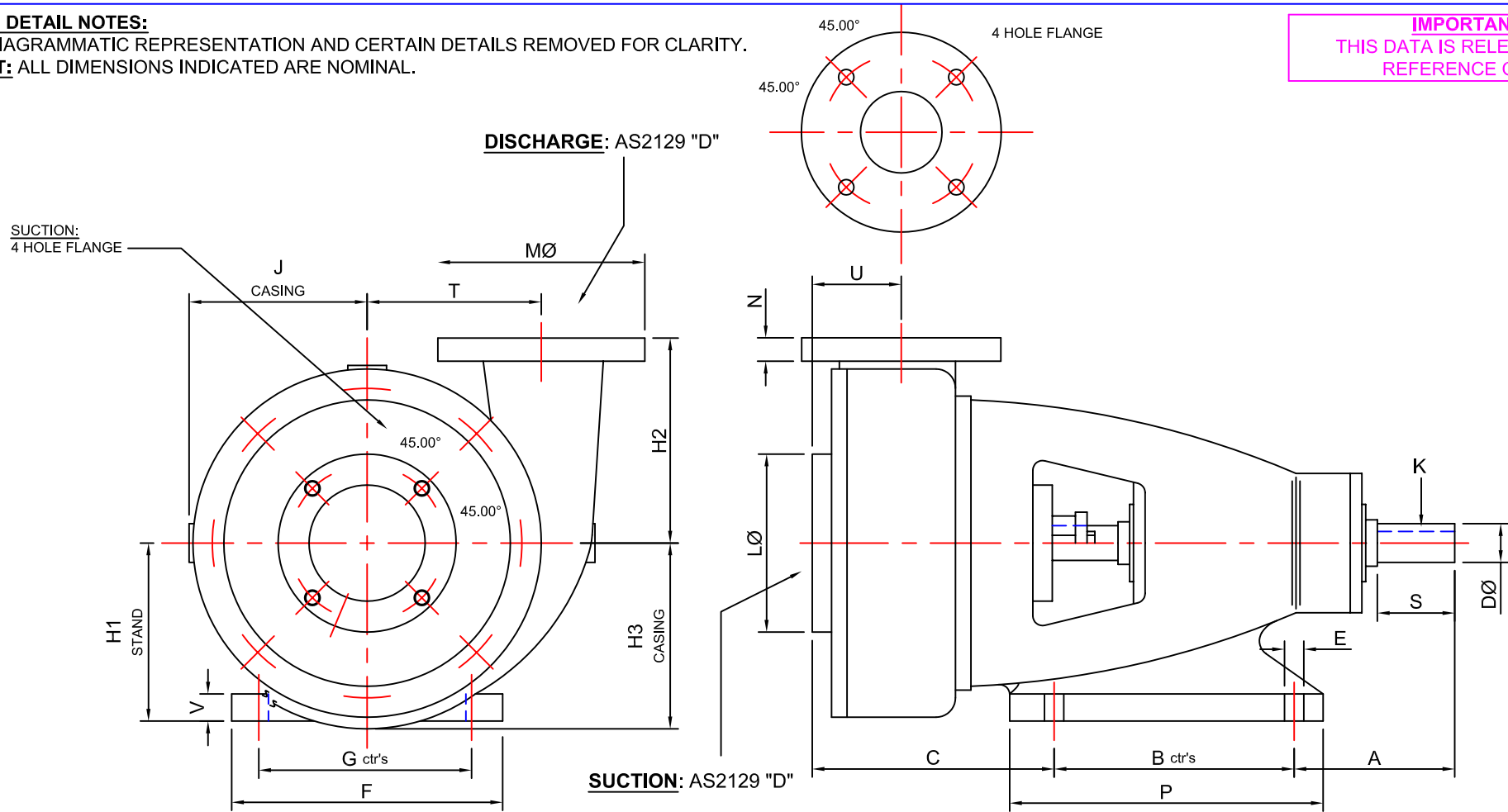


STANDARD DETAIL NOTES:


THIS IS A DIAGRAMMATIC REPRESENTATION AND CERTAIN DETAILS REMOVED FOR CLARITY.

IMPORTANT: ALL DIMENSIONS INDICATED ARE NOMINAL.

IMPORTANT:
THIS DATA IS RELEASED FOR
REFERENCE ONLY.



PUMP DIMENSIONS																					
PUMP SIZE	SUCT x DISCH	A	B	C	D	E	F	G	H1	H2	H3	J	K	L	M	N	P	S	T	U	V
40 SHL	50 x 50	147	149	162	1"	19	210	175	127	134	135	125	1/4"	152	152	14	222	64	115	55	25
507	AS 2129 "D"				inch								Sq								
													inch								

REVISION	THIS DATA REMAINS THE PROPERTY OF STALKER ENGINEERING. NO DATA MAY BE REPRODUCED WITHOUT PRIOR CONSENT OF COMPANY. DATA MAY BE ALTERED WITHOUT NOTIFICATION.	GENERAL TOLERANCES METRIC +/-0.400mm IMPERIAL +/-0.015"		DRWN: AR	 STALKER PUMPS www.stalkerpumps.com.au	
	AS1100 3rd ANGLE PROJECTION	REFERENCE: ORIGINAL FILE REF. 12/03/2003, UPDATE 17/03/2003	DATE: UPDATED 13/09/2006	DIMENSION OUTLINE DIAGRAMMATIC DC 5 SERIES STANDARD		
	DO NOT SCALE	APPRVD:	CHECKED:	SCALE: DIAGRAMMATIC	FILE REF: REFER DWG NUMBER	DRAWING No: 2200DCDIMA3