



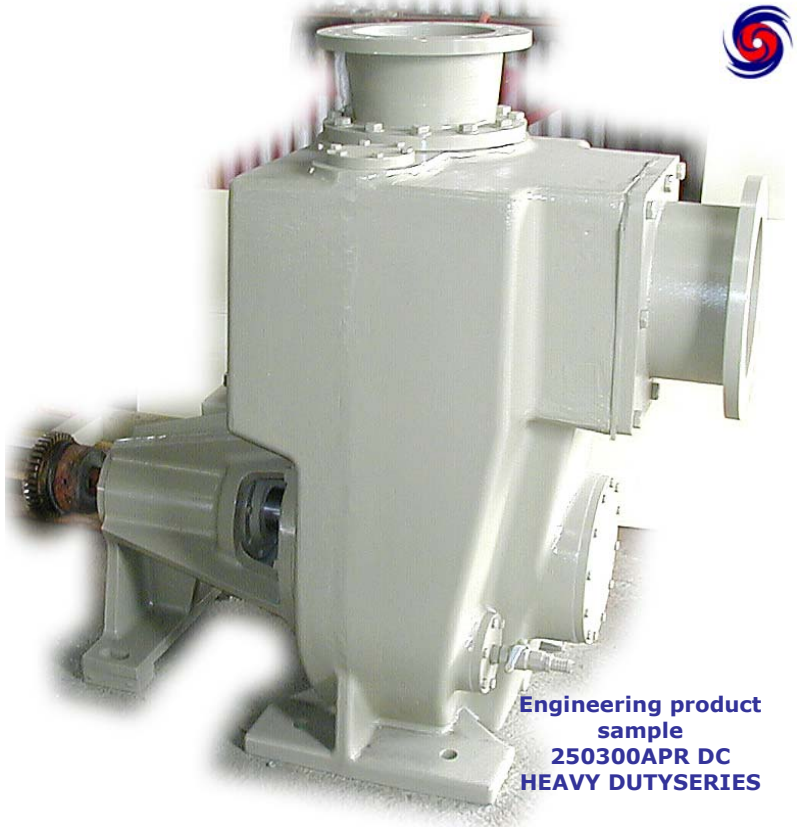
STALKER PUMPS

A Division of STALKER ENGINEERING PTY LTD ACN 062 229 412 ABN 50 062 229 412
www.stalkerpumps.com.au

250/300mm APR Self Priming (dc) Series Pump Heavy Duty Applications

Specialised Design Features

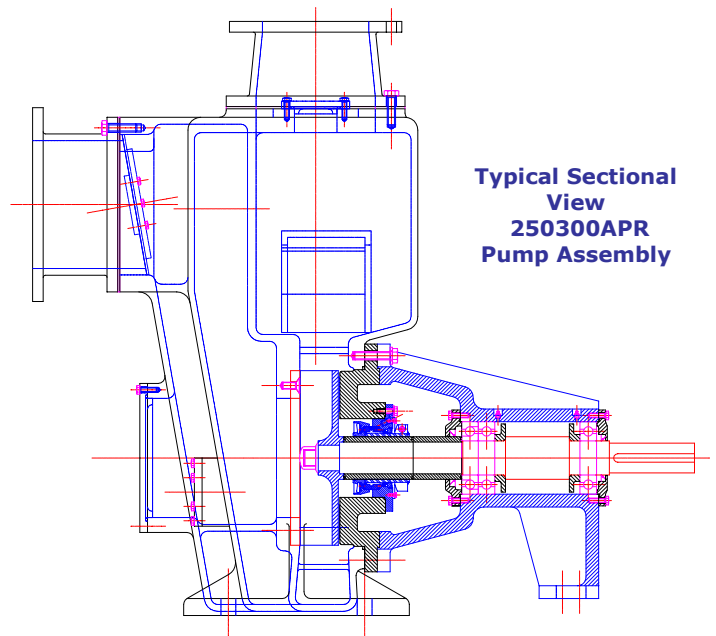
- ❑ Suction flange - heavy duty 300 mm or 250 mm hole patterns to AS2129 "E"
- ❑ Discharge flange - heavy duty 250 mm hole pattern to AS2129 "E"
- ❑ Primary design application - mine de-watering
- ❑ Self priming operation
- ❑ Input drives - electric or engine up to 250 kilowatts
- ❑ Delivery of 335 litres per second at 85 metres total head
- ❑ Major cast components manufactured from heavy section Spheroidal Graphite (SG) iron complying with AS1831 400 Mpa tensile
- ❑ Shaft material - High tensile alloy steel to AS1444 - 800 Mpa UTS with O ring sealed wear sleeve fitted (material AS2837 - 316 stainless steel)
- ❑ Mechanical Seal Assembly - heavy duty special build oil immersed.
- ❑ Gaskets/Seals/O-rings - insertion rubber/nitrile (viton fluoroelastomer option)
- ❑ Fasteners - 8.8 grade high tensile Zinc coated and 316 stainless steel
- ❑ Rotating Element Bearings - front matched pair angular contact 7316 series & heavy duty ball 6316 (C3) series bearing. Rear - heavy duty 6316 (C3) series ball bearing. Grease feed with purge flingers.



Engineering product sample
250300APR DC
HEAVY DUTY SERIES



Size comparison - Pump dimensions
Height: 1390 mm Width: 790 mm
Length: 1550 mm



Typical Sectional View
250300APR
Pump Assembly

Please note our Design, Production, Quality Assurance and Control services are all managed from our Head Office. In support our Service and Maintenance Dept. offer technical back up and spare parts for the operational life of the product thus allowing for full customer service and minimal maintenance downtime.



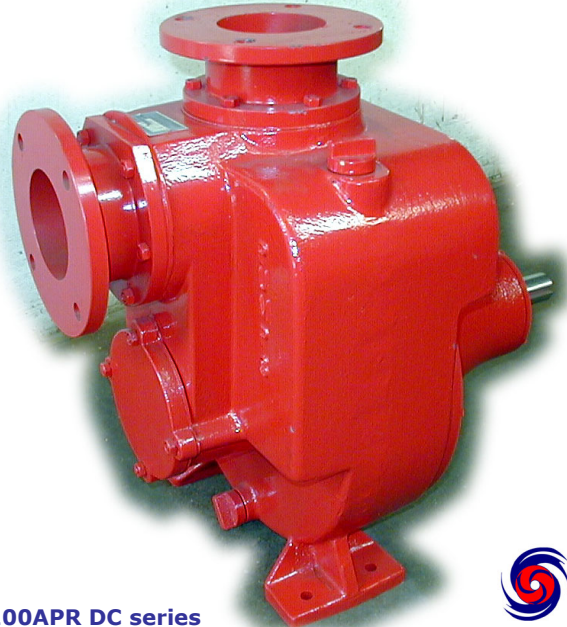
STALKER PUMPS

A Division of STALKER ENGINEERING PTY LTD ACN 062 229 412 ABN 50 062 229 412
www.stalkerpumps.com.au

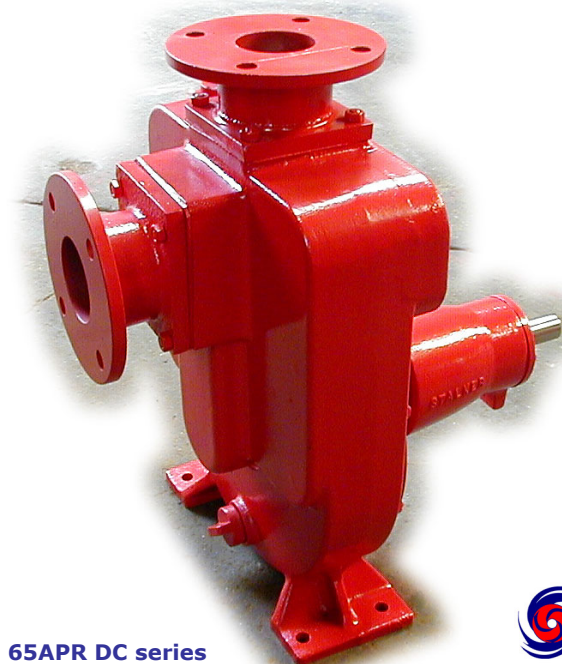
APR Self Priming Direct Coupled (dc) series pumps for Standard and Heavy Duty Applications

Standard Design Features

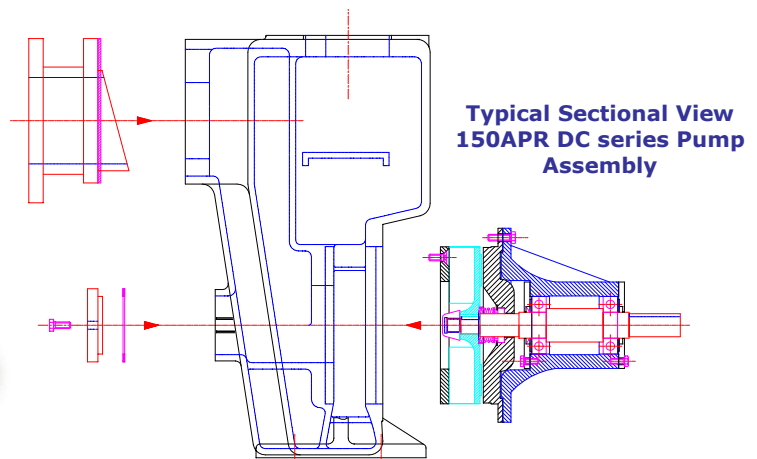
- ❑ Self priming operation eliminating the need to pre-fill the pump before operation as with centrifugals.
- ❑ Proven mechanical design provides excellent reliability and easy service maintenance.
- ❑ Major components manufactured from heavy section castings in materials to suit application.
- ❑ Shafts as standard - AS2837-316 stainless steel 590 - 620 MPa tensile (material options AS2837-431/UNS S 31803 and AS1444 - 4140).
- ❑ Mechanical seal as standard to DIN 24960 rubber bellows type with seat options as per application.
- ❑ Open and closed impeller designs.
- ❑ Gaskets (insertion rubber), oil seals and "O" rings (nitrile, silicone or fluoroelastomer rubber).
- ❑ Fasteners (zinc plated high tensile steel minimum 4.6 grade or AS - 316 grade stainless steel).
- ❑ Bearing assemblies - long life available in sealed for life, grease or oil lubricated to suit direct coupling or pulley drives.
- ❑ Direct coupled units fitted with heavy duty pin bush or flexible tyre coupling fully enclosed in an anti-scatter guard.
- ❑ Drive options - direct coupled to tropic proof electric motors or direct coupled to petrol or diesel engines.
- ❑ Mounting options - heavy duty base frames in materials to AS3679 - open direct mount, open skid type or skid type with fuel tank fitted depending on input drive selected.
- ❑ Trailer mounted options available.
- ❑ For heavy duty mine dewatering applications please refer to the Heavy duty 250-300mm self priming pump brochure.



100APR DC series
Engineering product sample



65APR DC series
Engineering product sample



Typical Sectional View
150APR DC series Pump
Assembly

Note : Design, Construction and Assembly options are available and are not limited to the above.

For client confidence our design, production, quality assurance and control services are all managed from our head office and manufacturing facility. In support of this our service department offers technical backup, installation, maintenance and spare parts for the operational life of the product.





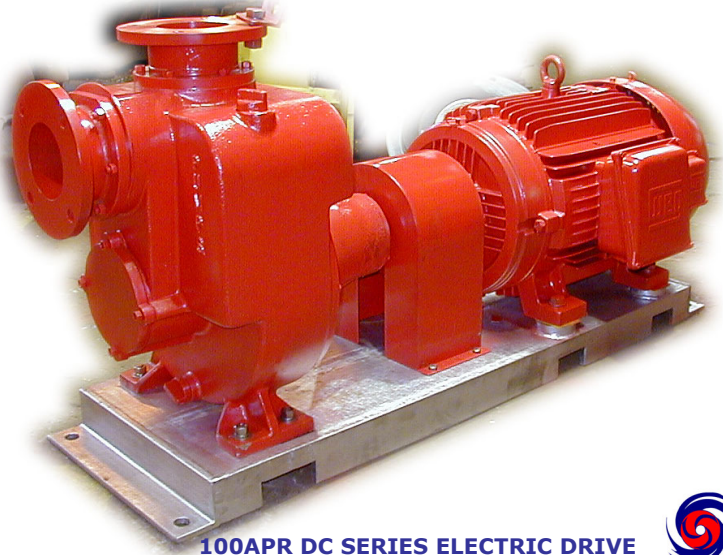
STALKER PUMPS

A Division of STALKER ENGINEERING PTY LTD ACN 062 229 412 ABN 50 062 229 412
www.stalkerpumps.com.au

Base Frame Mounted Pumps APR Self Priming (dc Series) Electric Driven - Standard and Heavy Duty Applications

Standard Design Features

- ❑ Base Frames - steel sections to AS 3679 channel or angle available in open, skid or direct base mount options with lifting options to suit . Galvanised, epoxy coated or standard surface finishes available.
- ❑ Self Priming DC Series pump assembly (refer to APRDCSERIES brochure for additional pump information).
- ❑ Drive Coupling - Heavy duty pin bush or flexible tyre type.
- ❑ Coupling Guard - enclosed anti-scatter type.
- ❑ Electric Motor - fitted to suit tropical conditions as standard and complying with relevant Australian and international standards

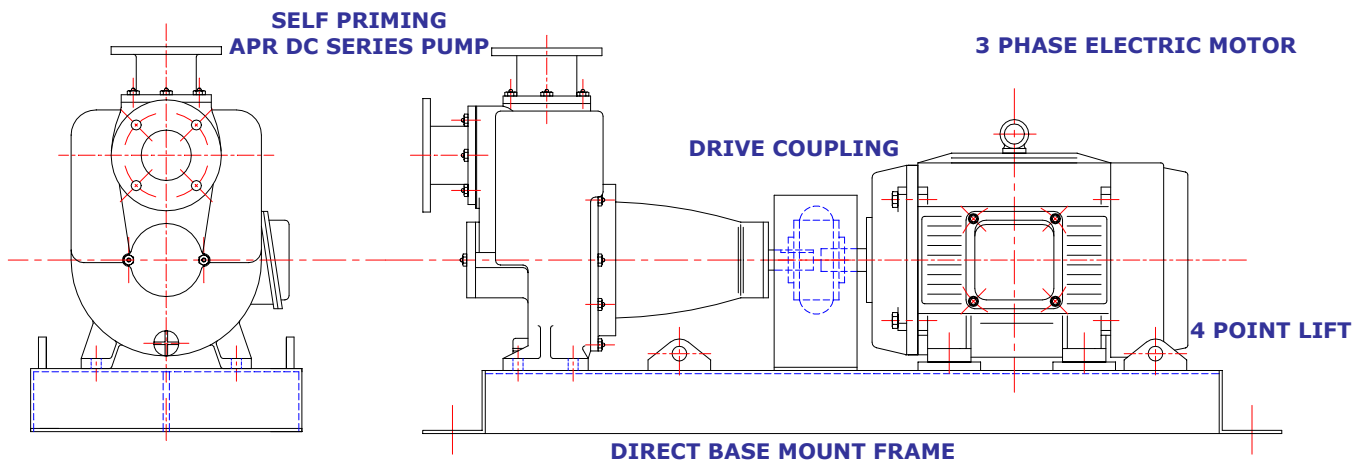


100APR DC SERIES ELECTRIC DRIVE



Note : Design, Construction and Assembly options are available and are not limited to the above

Typical Diagrammatic View direct coupled direct base mounted pump assembly



Please note our Design, Production, Quality Assurance and Control services are all managed from our Head Office. In support our Service and Maintenance Dept. offer technical back up and spare parts for the operational life of the product thus allowing for full customer service and minimal maintenance downtime.



STALKER PUMPS

A Division of STALKER ENGINEERING PTY LTD ACN 062 229 412 ABN 50 062 229 412
www.stalkerpumps.com.au

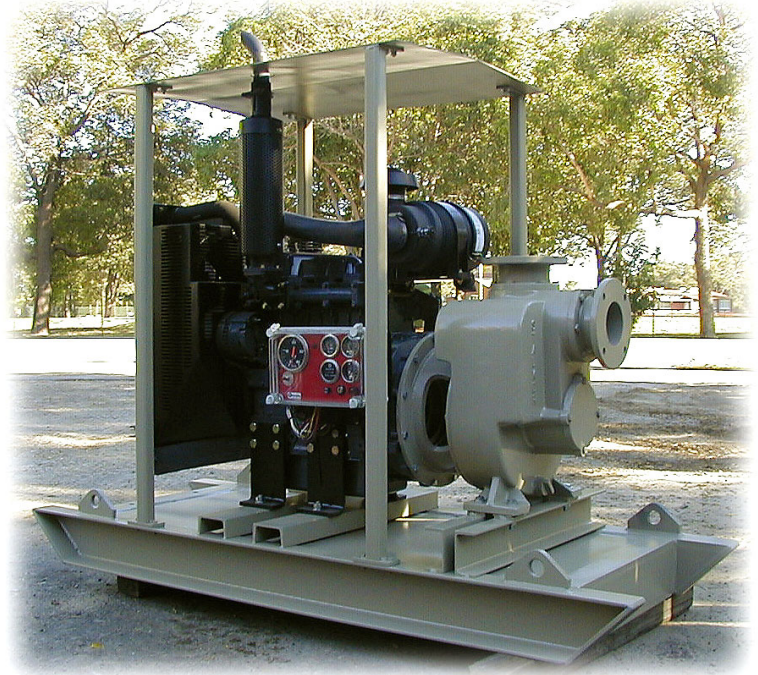
Base Frame Mounted Pumps APR Self Priming (cc Series) Engine Driven - Standard and Heavy Duty Applications

Basic Design Features

- ❑ Designed for manoeuvrability.
- ❑ Base Frames – Steel sections to AS3679 Channel or Angle (fuel tank size and configuration according to application). Open style, skid style or supplied with roll cage. Galvanised or Epoxy Coated surface finish to suit application environment.
- ❑ CC Series Pump Assembly – Heavy duty Self Priming configuration. (Centrifugal assemblies available)
- ❑ Engine Drives – Diesel or Petrol (Caterpillar, Cummins, Honda, Yanmar, Deutz - models available)

Note : Each build is application specific and assembly variations in design, construction and materials are available

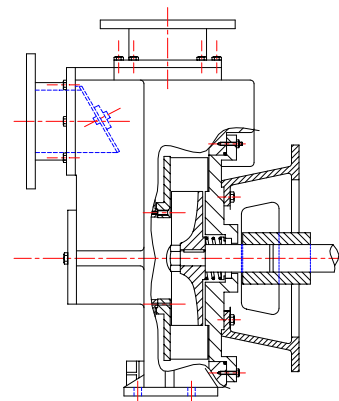
Please refer to our APR CC series brochure for additional product information.



APR CC Series skid base mounted
Caterpillar engine driven Production built assembly



APR CC Series skid base mounted
Yanmar engine driven Production built assembly



Typical Diagrammatic sectional
view APR CC Series wet end

Please note our Design, Production, Quality Assurance and Control services are all managed from our Head Office. In support our Service and Maintenance Dept. offer technical back up and spare parts for the operational life of the product thus allowing for full customer service and minimal maintenance downtime.





STALKER PUMPS

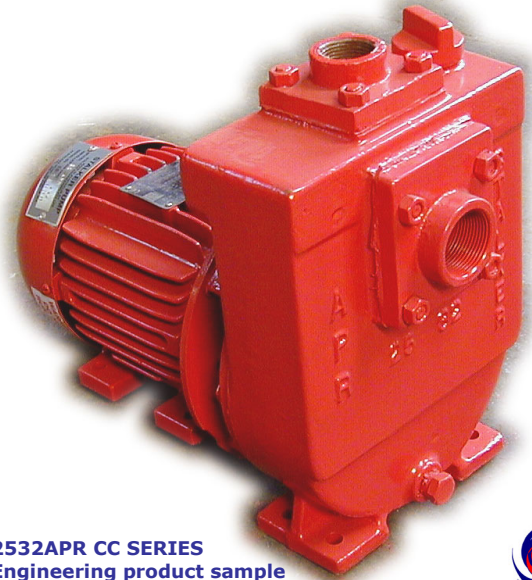
A Division of STALKER ENGINEERING PTY LTD ACN 062 229 412 ABN 50 062 229 412
www.stalkeerpumps.com.au

APR Self Priming Close Coupled (cc) Series Electric Driven Standard and Heavy Duty Applications

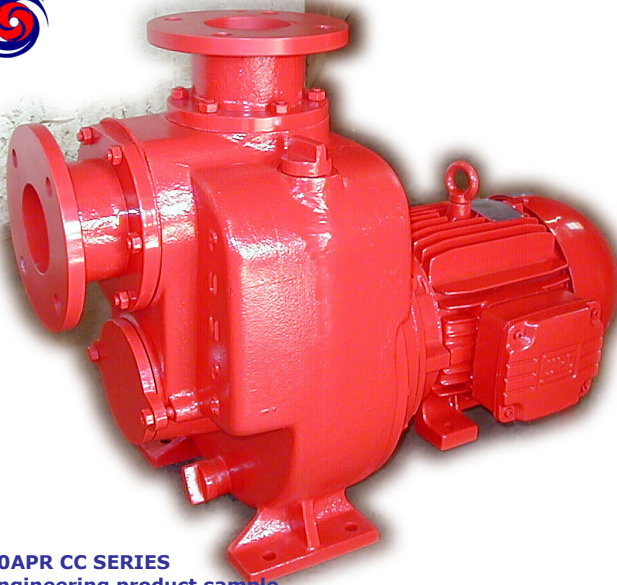
Standard Design Features

- ❑ Self priming operation
- ❑ Proven mechanical design provides excellent reliability and easy service and maintenance
- ❑ Major components manufactured from heavy section cast iron complying with AS1830
- ❑ Pump Shaft - Stainless Steel 590Mpa AS2837-316
- ❑ Din 24 960 Mechanical Seal – Rubber bellows type fitted with hard faced seats
- ❑ Gaskets/Seals – nitrile or insertion rubber
- ❑ Fasteners – Std Zinc coated 4.6 - 8.8 grade
- ❑ Electric Motors - Fitted to suit tropical conditions as standard
- ❑ Ball Bearings (Motor) - Long Life heavy duty, Normal or C3 class sealed for life or regrease able

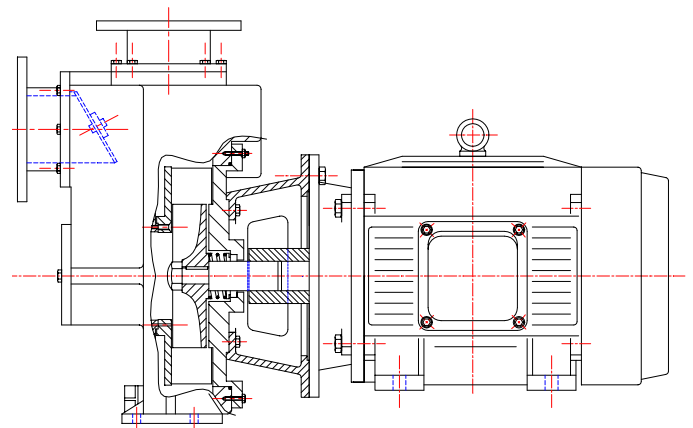
Note : Design, Construction and Assembly options are available.



2532APR CC SERIES
Engineering product sample



80APR CC SERIES
Engineering product sample



Typical Sectional View - Pump Assembly

Please note our Design, Production, Quality Assurance and Control services are all managed from our Head Office. In support our Service and Maintenance Dept. offer technical back up and spare parts for the operational life of the product thus allowing for full customer service and minimal maintenance downtime.



STALKER PUMPS

A Division of STALKER ENGINEERING PTY LTD ACN 062 229 412 ABN 50 062 229 412
www.stalkerpumps.com.au

Trailer Mounted Pumps APR Self Priming (cc Series) Engine Drives for Heavy Duty Applications

Design Features

- ❑ Trailer assemblies in 2 or 4 wheel axle configurations with towing tonnage to suit.
- ❑ Diesel engines to suit application and pump unit (Caterpillar, Cummins, Perkins, Deutz models available.)
- ❑ Mounting Base Frames – Steel sections to AS3679 Channel or Angle including 100 – 500 litre fuel tank (capacities to suit).
- ❑ Galvanised or Epoxy Coated surface finish to suit application environment.
- ❑ Standard 4 point lifting (central single point lift is optional)
- ❑ CC Series Pump Assembly (Heavy Duty – Self Priming Type) - to suit application. Please refer to our APR CC series brochure for additional pump information.

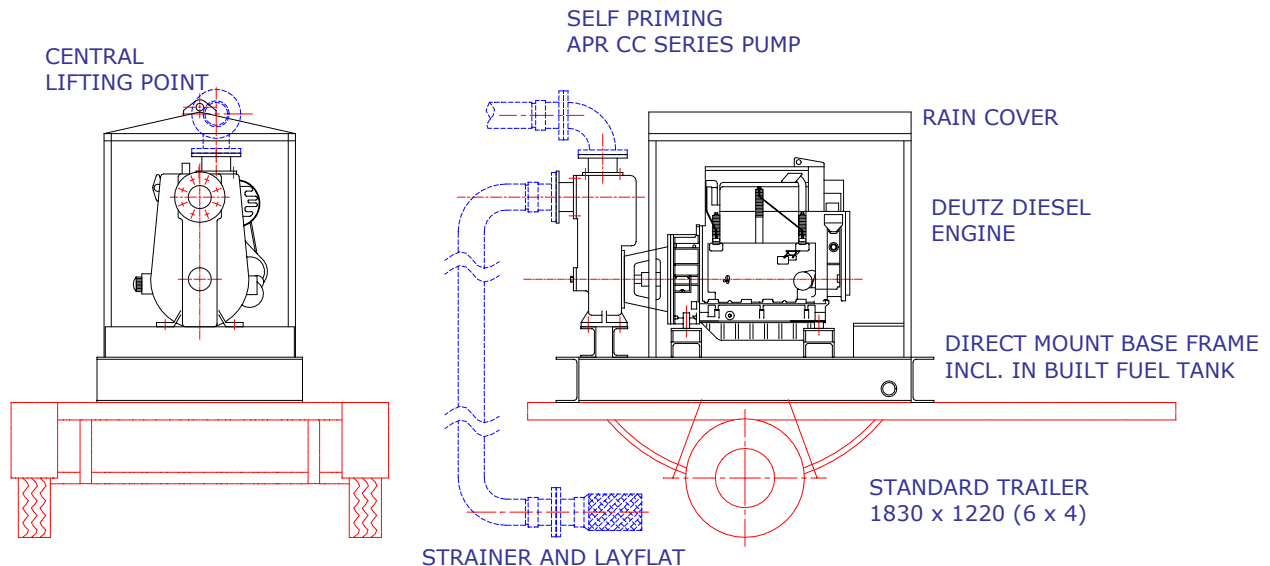


Note : Each build is application specific and assembly variations in design, construction and materials are available

**100APR CC Series - Trailer Mounted
Deutz Engine driven - Production built assembly**



Typical Diagrammatic view Trailer mounted pump assembly



Please note our Design, Production, Quality Assurance and Control services are all managed from our Head Office. In support our Service and Maintenance Dept. offer technical back up and spare parts for the operational life of the product thus allowing for full customer service and minimal maintenance downtime.